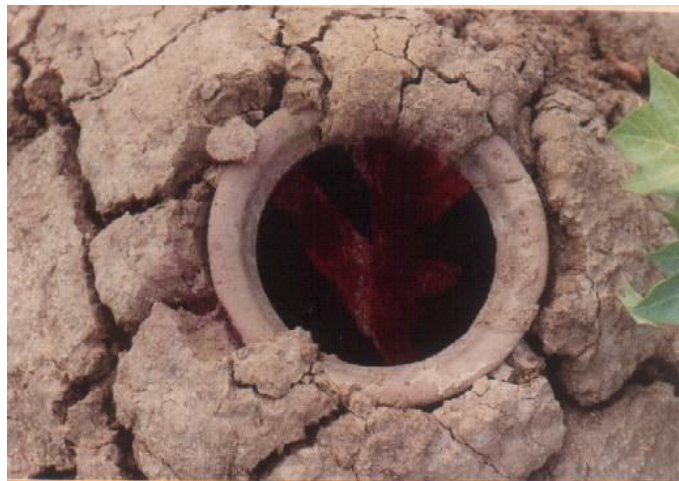


The Traditional rodent management methods of *Cauvery* delta

Rodent Burrow Fumigation



Pitfall trap for Rodent pests



***Tanjore* bow trap “on” and “off” position**

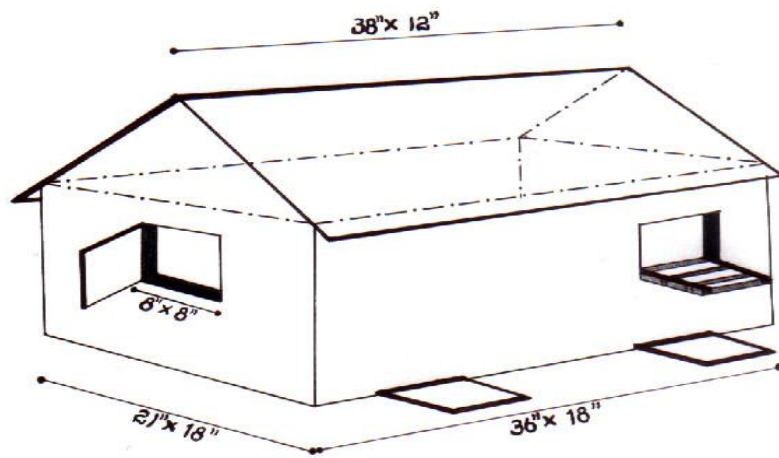


The Barn owl (*Tyto alba stertens*) – Potential Predator of Rodent Pests



Man – made Nest Box for Barn owls' Roosting and Nesting

ARTIFICIAL NEST BOX



"T"-SHAPE PERCHING POLE

